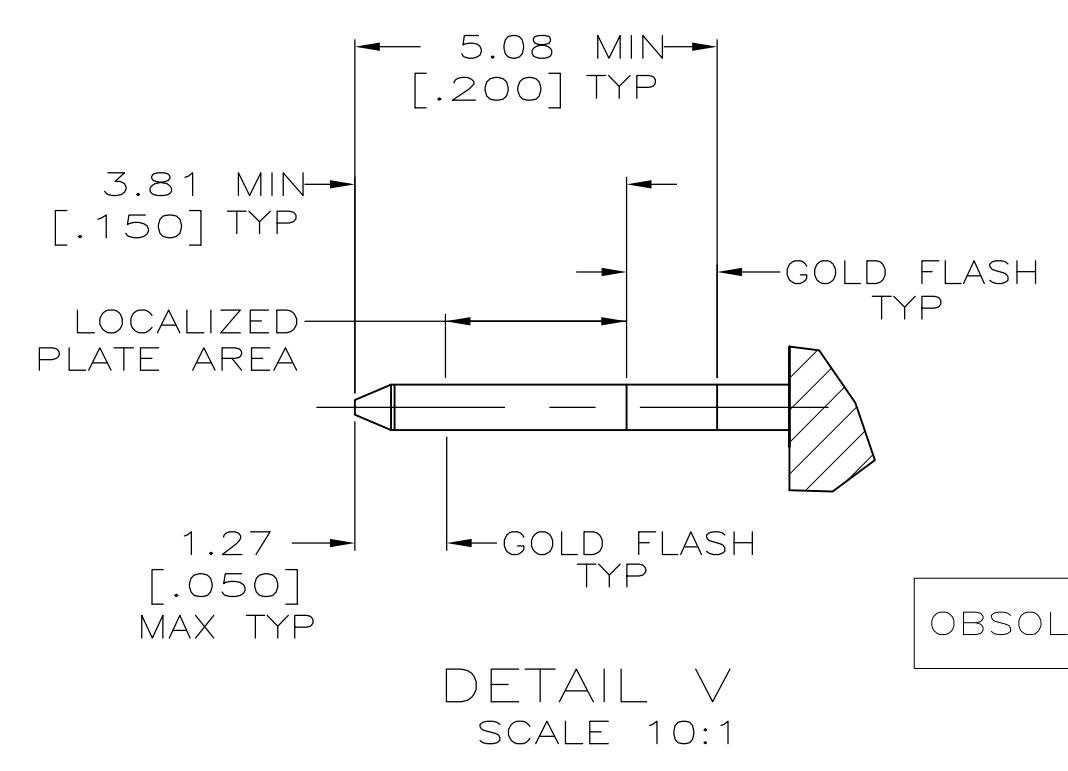
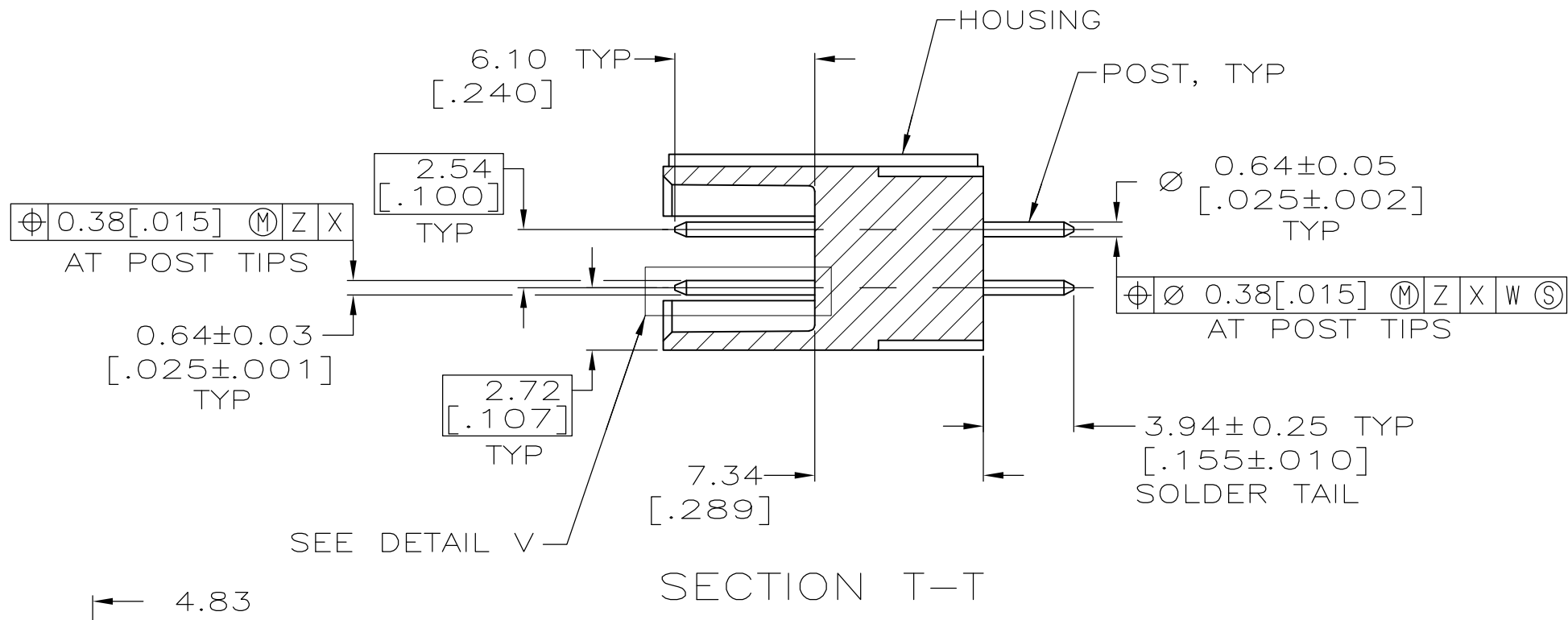
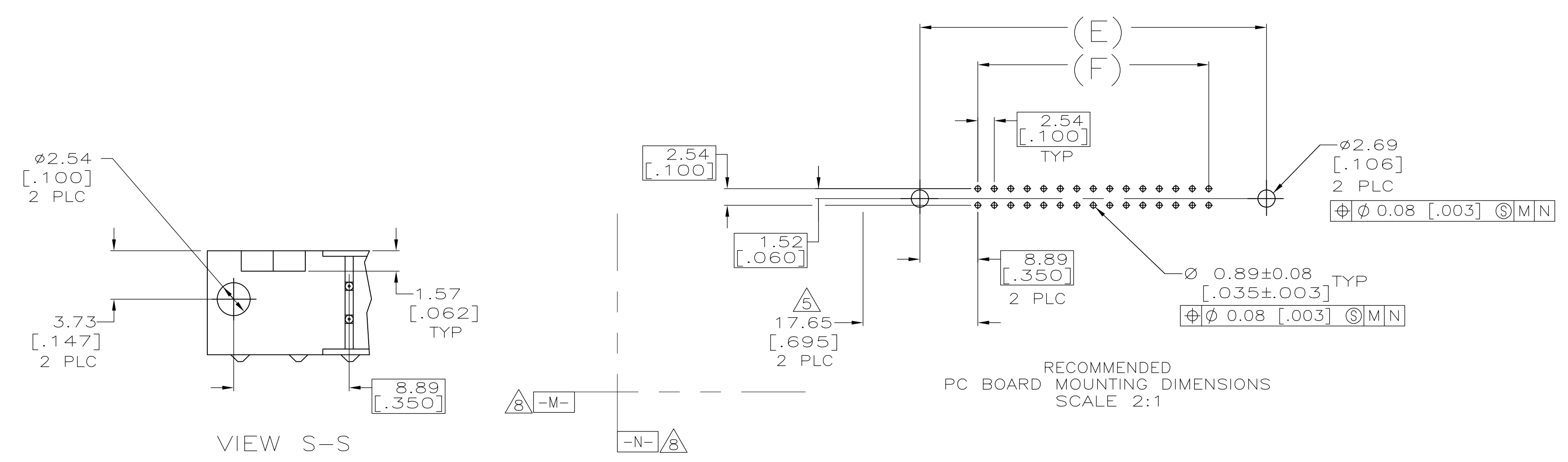
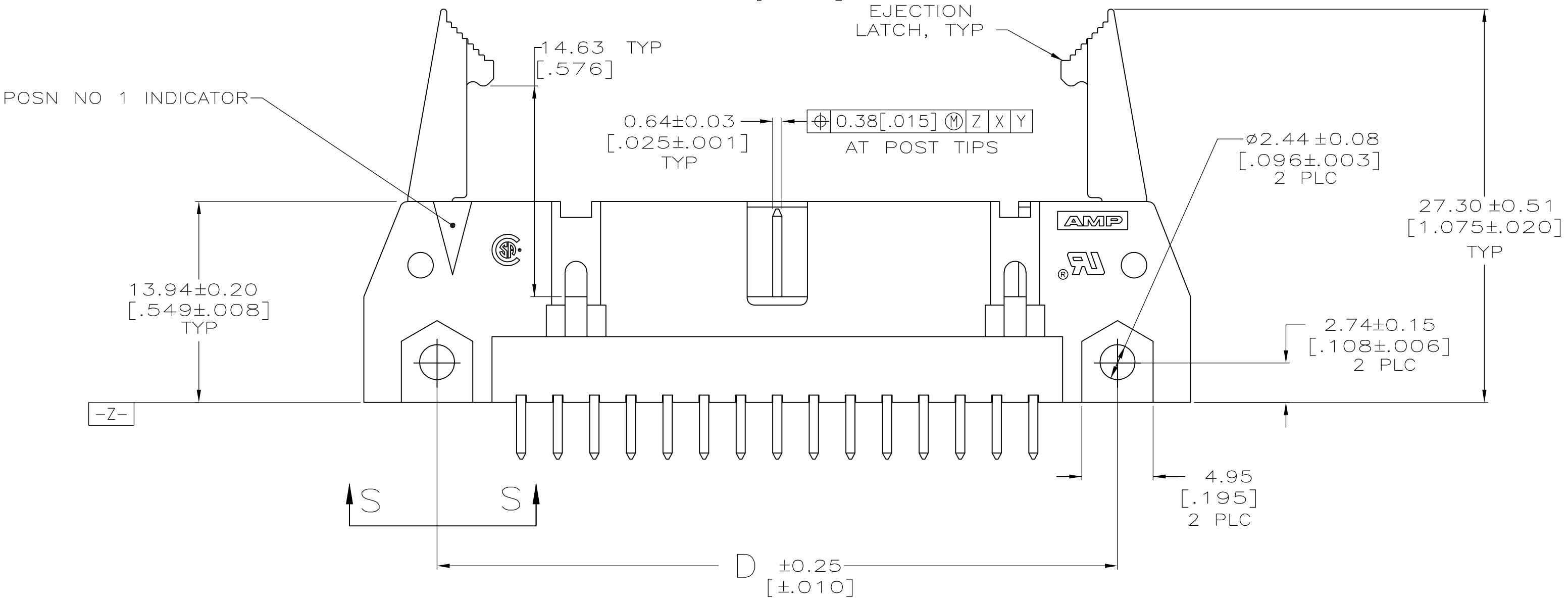
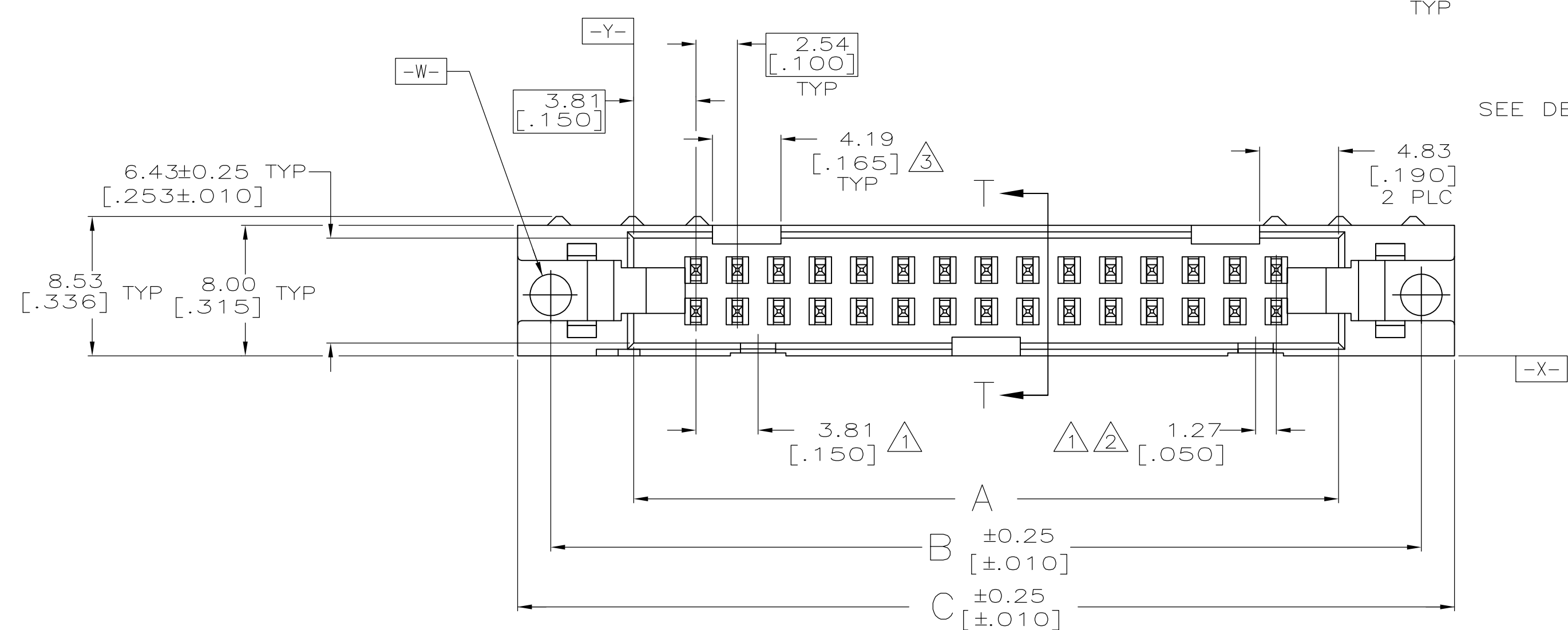


EJECTION LATCHES OMITTED IN THIS VIEW FOR CLARITY



- 1 COORDINATE DIMENSION APPLIES FROM BASIC LOCATION.
- 2 10 AND 14 POSITION SIZES CONTAIN ONLY ONE SLOT FOR SNAP-IN POLARIZER (MILITARY POLARIZATION) LOCATED AS SHOWN.
- 3 10 POSITION SIZE CONTAINS ONLY ONE SLOT FOR DUAL POLARIZATION, LOCATED AS SHOWN.
- 4. RECOMMENDED PRINTED CIRCUIT BOARD THICKNESS IS 3.18 [.125].
- 5 DISTANCE REQUIRED BY EJECTION LATCHES IN THE OPEN POSITION.
- 6 HOUSING & LATCHES: GLASS FILLED NYLON OR POLYESTER, UL94V-0 RATED, COLOR: SEE TABLE. POSTS: PH BRZ OR BRASS
- 7 POSTS: GOLD FLASH OVER PALLADIUM-NICKEL PLATE, 0.76µm [.000030] MIN TOTAL ON THE LOCALIZED PLATE AREA, 2.54µm [.000100] MIN TIN PLATE ON THE SOLDER-TAIL, 1.27µm [.000050] MIN NICKEL UNDERPLATE ON THE ENTIRE POST.
-OR-
0.76µm [.000030] MIN GOLD PLATE ON THE LOCALIZED PLATE AREA, 2.54µm [.000100] MIN TIN PLATE ON THE SOLDER-TAIL, 1.27µm [.000050] MIN NICKEL UNDERPLATE ON THE ENTIRE POST.
- 8 DATUMS -M- & -N- TO BE ESTABLISHED BY CUSTOMER.



RECOMMENDED PC BOARD MOUNTING DIMENSIONS SCALE 2:1

	BLUE	71.12	65.02	75.18	71.12	60.96		
	53.34	[2.800]	[2.560]	[2.960]	[2.800]	[2.400]	44	3-5102321-3
OBSOLETE	78.74	[3.100]	[3.560]	[3.960]	[3.800]	[3.400]	64	3-5102321-2
	73.66	[2.900]	[3.360]	[3.760]	[3.600]	[3.200]	60	3-5102321-1
	60.96	[2.400]	[2.860]	[3.260]	[3.100]	[2.700]	50	3-5102321-0
OBSOLETE	48.26	[1.900]	[2.360]	[2.760]	[2.600]	[2.200]	40	2-5102321-9
OBSOLETE	40.64	[1.600]	[2.060]	[2.460]	[2.300]	[1.900]	34	2-5102321-8
	35.56	[1.400]	[1.860]	[2.260]	[2.100]	[1.700]	30	2-5102321-7
	30.48	[1.200]	[1.660]	[2.060]	[1.900]	[1.500]	26	2-5102321-6
	22.86	[.900]	[1.360]	[1.760]	[1.600]	[1.200]	20	2-5102321-4
	17.78	[.700]	[1.160]	[1.560]	[1.400]	[1.000]	16	2-5102321-3
	15.24	[.600]	[1.060]	[1.460]	[1.300]	[.900]	14	2-5102321-2
	10.16	[.400]	[.860]	[1.260]	[1.100]	[.700]	10	2-5102321-1
	78.74	[3.100]	[3.560]	[3.960]	[3.800]	[3.400]	64	1-5102321-2
	73.66	[2.900]	[3.360]	[3.760]	[3.600]	[3.200]	60	1-5102321-1
	60.96	[2.400]	[2.860]	[3.260]	[3.100]	[2.700]	50	1-5102321-0
	48.26	[1.900]	[2.360]	[2.760]	[2.600]	[2.200]	40	5102321-9
	40.64	[1.600]	[2.060]	[2.460]	[2.300]	[1.900]	34	5102321-8
	35.56	[1.400]	[1.860]	[2.260]	[2.100]	[1.700]	30	5102321-7
	30.48	[1.200]	[1.660]	[2.060]	[1.900]	[1.500]	26	5102321-6
	27.94	[1.100]	[1.560]	[1.960]	[1.800]	[1.400]	24	5102321-5
	22.86	[.900]	[1.360]	[1.760]	[1.600]	[1.200]	20	5102321-4
	17.78	[.700]	[1.160]	[1.560]	[1.400]	[1.000]	16	5102321-3
	15.24	[.600]	[1.060]	[1.460]	[1.300]	[.900]	14	5102321-2
	10.16	[.400]	[.860]	[1.260]	[1.100]	[.700]	10	5102321-1
COLOR	F	E	D	C	B	A	NO OF POSN	PART NUMBER

THIS DRAWING IS A CONTROLLED DOCUMENT.

DIMENSIONS:	TOLERANCES UNLESS OTHERWISE SPECIFIED:	DWN G. ATTADIA - DOCK5 01-07-05	APVD M. WALMSLEY 01-07-05
0 PLC ± .01	1 PLC ± .015	NAME: S. BOLASH	
2 PLC ± .02	3 PLC ± .03	NAME: M. WALMSLEY	
4 PLC ± .04	ANGLES ± .05	PRODUCT SPEC: 108-40018	
		APPLICATION SPEC: -	
MATERIAL:	FINISH:	SIZE: A1	CAGE CODE: 00779
		DRAWING NO: 5102321	RESTRICTED TO: -
		CUSTOMER DRAWING	SCALE: 4:1

STE TE Connectivity

HEADER ASSY, UNIVERSAL, AMP-LATCH

4:1 SHEET 1 OF 1 REV E1